



Tel: 01642 242228 | Fax: 01642 242259

www.richardsonsuk.co.uk | sales@richardsonsuk.co.uk

TITAN ACCESSORIES



Titan offers a wide range of high quality accessories to finish your installation. Details such as recessed plug sockets, magnetic blinds and access panels complete the superior appearance of Titan

- Recessed plug sockets and integral wire ways
- Magnetic blinds
- Service panels
- Removable panels
- Recessed panel bottoms for rolled flooring

Bespoke accessories to suit your requirements are available upon request

ADVANTAGES

Accessories such as magnetic removable panels can be a simple solution for applications that require a large access area.

APPLICATIONS

Flush plug sockets with our new integral CLS (cable logistics system) make a huge improvement on cleanliness, functionality and aesthetics.

FEATURES

Service panels provide a professional way of concealing services while allowing easy access if necessary. Service panels have a neoprene seal and a range of locks are available.





Magnetic blinds are controlled by a removable control knob.)



Flush plug sockets are a huge improvement over external trunking and bulky sockets.)



A wide range of access panel sizes are available to suit a range of applications.)



Panels can have a recessed bottom section to allow for flush rolled flooring.)

FACTS)

Specific panels can be selected to channel wiring to suitable points at your installation. All wire ways are integral and can be made to suit individual requirements.)



Magnetic blinds keep the panel face completely flush, avoiding unnecessary particle traps.)



ACCESSORIES OPTIONS)

Standard polyester powder coat:
White/RAL 9010)

Non standard and corporate colours are also available upon request)

- Hinged doors with a variety of furniture options are available)
- Ceilings (composite panels or lay in grid tiles)
- UPVC coving with flexible edge)
- Special glass options available on request)
- Special powder coatings, anti static / electro dissipative) and antimicrobial)



RICHARDSONS
MAKING WORKSPACE WORK

6 Collingwood Court
Riverside Park
Middlesbrough TS2 1RP

Tel: 01642 242228 | Fax: 01642 242259

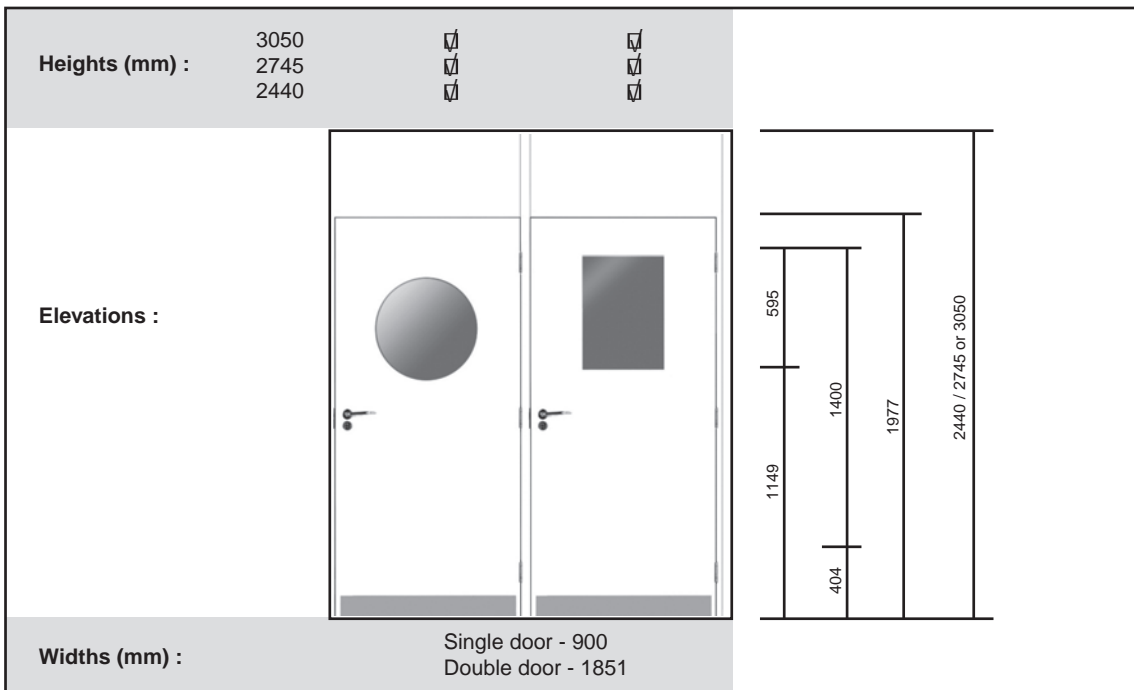
www.richardsonsuk.co.uk | sales@richardsonsuk.co.uk



Tel: 01642 242228 | Fax: 01642 242259

www.richardsonsuk.co.uk | sales@richardsonsuk.co.uk

TITAN DOORS



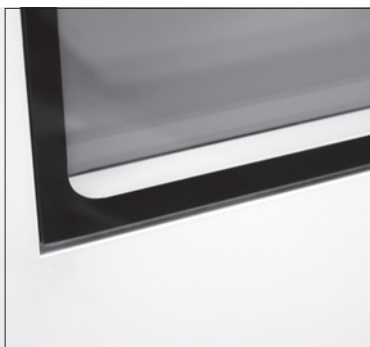
AVAILABLE FURNITURE

Titan doors are available in both steel and laminate versions. Both of these can be supplied with or without a vision panel. Vision panels are flush glazed and are available in a nominal 443 x 593 aperture (as standard) and in a DDA compliant slot form.

Titan doors have a clear height of 1970 and come with an over panel to make up the height of the panels. Non standard over panels are available to match non standard panel heights.

ADVANTAGES

Titan door vision panels are flush glazed for aesthetic value and to avoid trapping dust.



Screen printed glass matches the panels to keep visual continuity.

APPLICATIONS

With the correct air handling and filters Titan doors suit ISO 14644-1 class cleanrooms 6, 7 and 8.



Titan doors are suitable for office or cleanroom applications.

FEATURES

A wide range of door furniture is available for all situations (see Door Furniture brochure for more details).



Stainless steel door furniture is supplied as standard.



Laminate doors have the option of integrated seals. Further helping to reduce contamination.



Stainless steel hinges are supplied as standard and flush fitted to the door & frame.



Stainless steel hardware is supplied as standard.
 - Easy to clean
 - Durable
 - Variety of finishes



Flush bolts are rebated on all double doors.

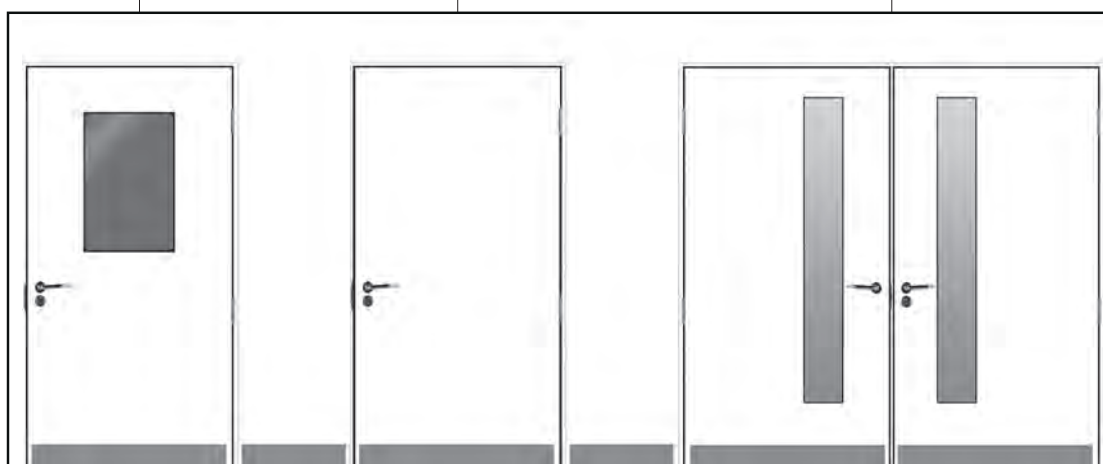
FACTS

Titan doors are available as single or double and four styles are available as standard:

Rectangular vision panel

No vision panel

Disabled access vision panel



Standard Titan doors includes:

Steel -

- * Bonded core
- * Stainless steel, flush fitted hinges
- * Stainless steel push plate & pull handle (satin finish)
- * Euro lock set
- * Stainless steel kick strips (200mm deep, satin finish)
- * Stainless steel door closer (satin finish)

Laminate -

- * Flush glazed vision panel
- * Stainless steel flush hinges
- * Stainless steel push plate & pull handle (satin finish)
- * Euro lock set
- * Stainless steel kick strips (200mm deep, satin finish)
- * Stainless steel door closer

ACCESSORIES OPTIONS

All doors -

- * Vision panels
- * Electromagnetic lock

* Digital lock

- * Swipe card lock
- * Drop down seal

Laminate doors -

- * Integrated seals



RICHARDSONS
 MAKING WORKSPACE WORK

6 Collingwood Court
 Riverside Park
 Middlesbrough TS2 1RP

Tel: 01642 242228 | Fax: 01642 242259

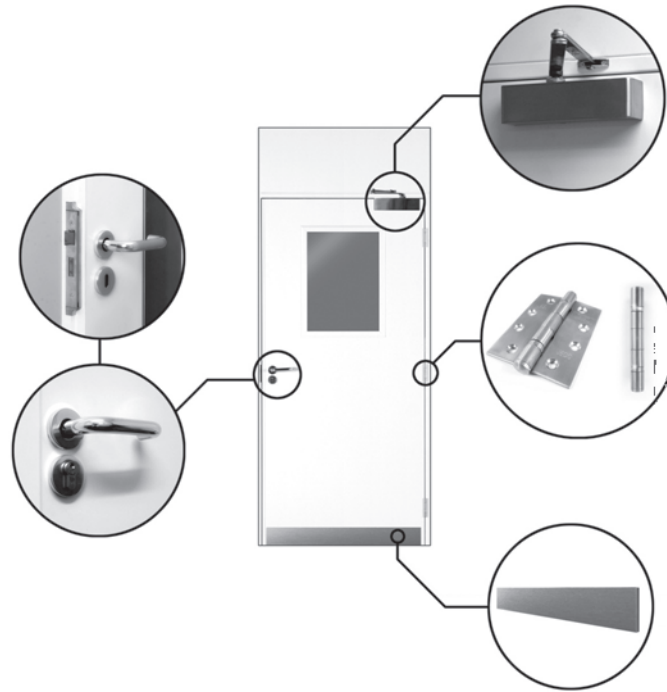
www.richardsonsuk.co.uk | sales@richardsonsuk.co.uk



Tel: 01642 242228 | Fax: 01642 242259

www.richardsonsuk.co.uk | sales@richardsonsuk.co.uk

TITAN DOOR FURNITURE



AVAILABLE FURNITURE

ver sets

i -

ADVANTAGES

The wide variety of options creates a product with a greater flexibility, allowing Titan to adapt to suit the stringent requirements of differing cleanrooms.

APPLICATIONS

Digital locks and swipe card locks can be used where security is a major priority. Stainless steel kick plates and matching furniture can withstand the wear & tear introduced in high traffic areas.

FEATURES

Stainless steel hardware is supplied as standard.

to clean





Laminate doors have the option of intergrated seals. Further helping to reduce contamination.)



Stainless steel hinges, supplied as standard are fitted flush to door & frame.)

FACTS)

Titan Standard door includes:)

Steel -)

- * Bonded core
- * Stainless steel, flush fitted hinges
- * Stainless steel push plate & pull handle (satin finish)
- * Euro lock set
- * Stainless steel kick strips (200mm deep, satin finish)
- * Stainless steel door closer (satin finish)
- * Flush glazed vision panel

Laminate -)

- * Flush glazed vision panel)
- * Stainless steel flush hinges)
- * Stainless steel push plate & pull handle (satin finish)
- * Euro lock set)
- * Stainless steel kick strips (200mm deep, satin finish)
- * Stainless steel door closer (satin finish)

ACCESSORIES OPTIONS)

All doors -)

- * Vision panels)
- * Electromagnetic lock)
- * Digital lock)
- * Swipe card lock)
- * Drop down seal)

Steel doors -)

- * Concealed door closer)

Laminate doors -)

- * Intergrated seals)



RICHARDSONS
MAKING WORKSPACE WORK

6 Collingwood Court
Riverside Park
Middlesbrough TS2 1RP

Tel: 01642 242228 | Fax: 01642 242259

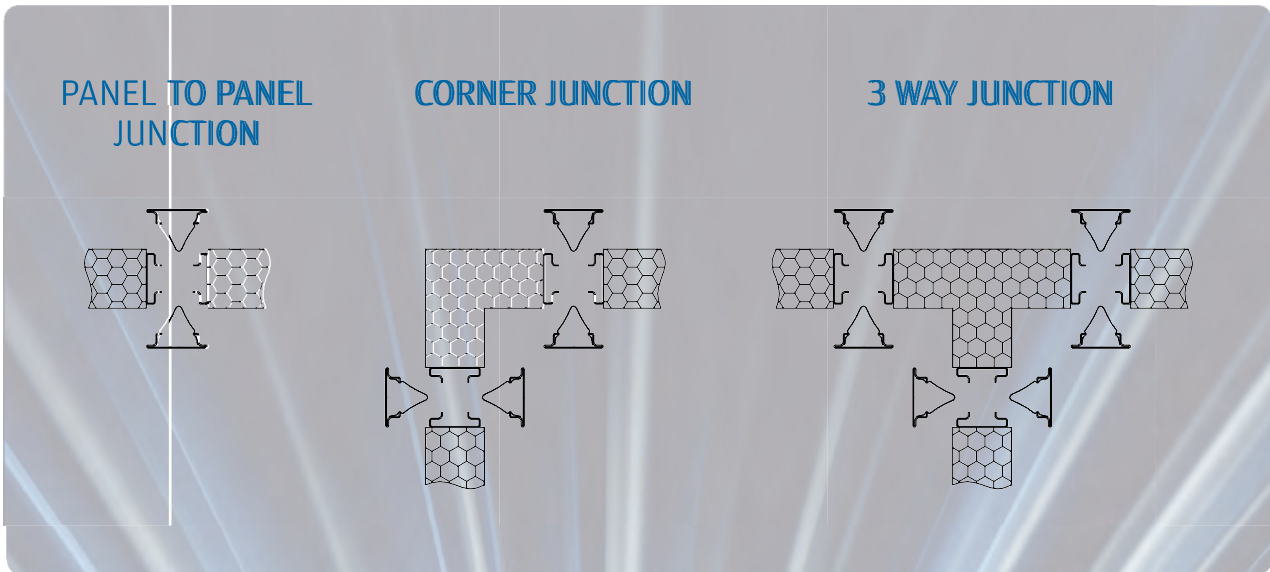
www.richardsonsuk.co.uk | sales@richardsonsuk.co.uk



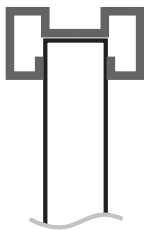
Tel: 01642 242228 | Fax: 01642 242259

www.richardsonsuk.co.uk | sales@richardsonsuk.co.uk

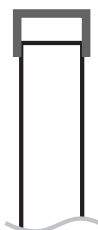
TITAN JOINT DETAILS



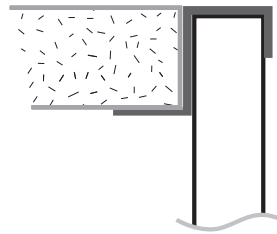
TOP CAPPING



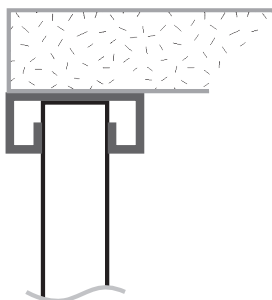
Free standing applications



Floor to ceiling



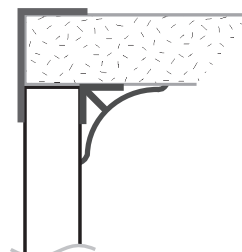
Short span ceilings



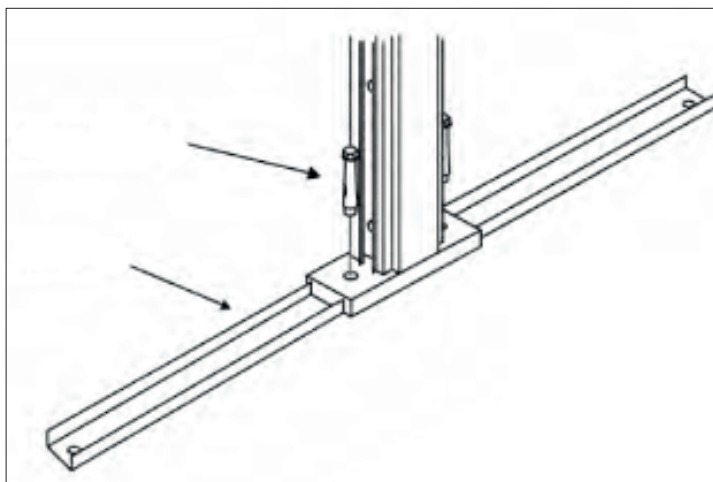
Wide span ceilings



Floor to ceiling incorporating
PVC coving

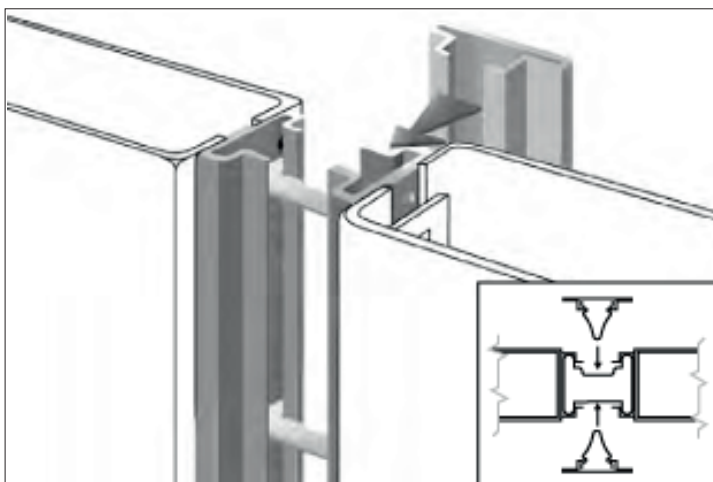


Supported ceiling incorporating
coving



Inline mullions -

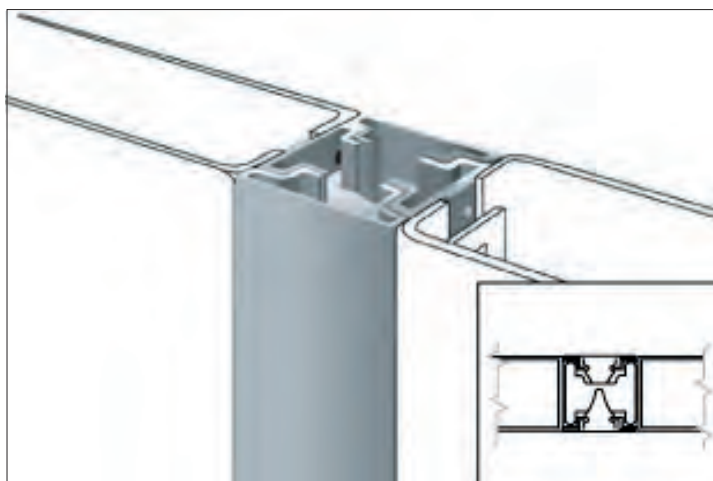
Provide strength & stability whilst keeping a neat perimeter, with no protruding base plates.



Panels are fully demountable

Individual panels can be removed without disrupting surrounding panels.

This provides the opportunity for future adaptation to the panel layout.



2-Line joint -

A flush joint cover creates a neat 2 line junction.



RICHARDSONS
 MAKING WORKSPACE WORK

6 Collingwood Court
 Riverside Park
 Middlesbrough TS2 1RP

Tel: 01642 242228 | Fax: 01642 242259

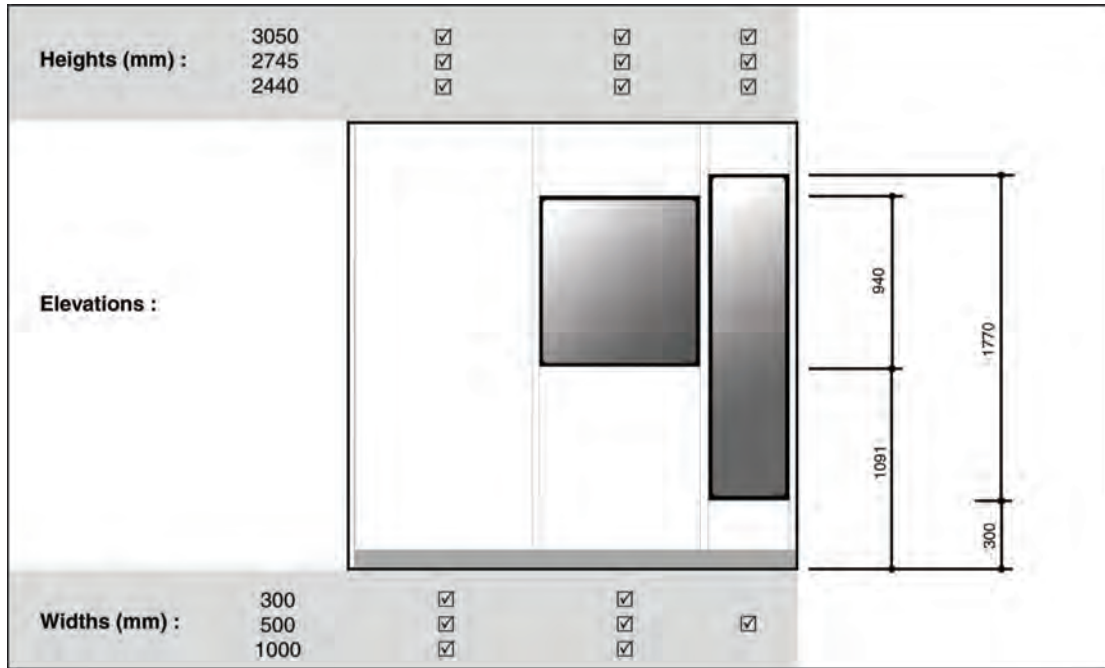
www.richardsonsuk.co.uk | sales@richardsonsuk.co.uk



Tel: 01642 242228 | Fax: 01642 242259

www.richardsonsuk.co.uk | sales@richardsonsuk.co.uk

TITAN PANELS



DEMOUNTABLE CLEANROOM PARTITIONING

With flush glazing and flush 2-line joint, Titan panels have been designed for cleanroom applications.)

This amounts to 21 different configurations of panel available as standard. Non standard heights & widths are also available upon request.)

Standard panel dimensions are:
Heights: 2440mm, 2745mm, 3050mm)
Widths: 1000mm, 500mm, 300mm)

ADVANTAGES)

Steel panels with composite bonded infill combine to give a strong durable construction.)

APPLICATIONS)

Titan panels, used in combination with the correct air handling & HEPA filters are aimed at the mid range cleanrooms (ISO 14644-1 class 6,7 & 8).)

FEATURES)

Titan panels have been designed to allow individual panels to be removed without affecting the surrounding panels.) This makes it an ideal choice for applications where the layout may require alteration / expansion over time.)



Titan steel panels with bonded composite infill provide great strength and rigidity.)



Panels arrive at site complete ready for mounting. Installation is fast due to the interlocking cleat system used to secure the panels.)



Blinds can be integrated in glazed panels. Option available for magnetic control, maintaining the fully flush surface, or standard thumb turn control.)



Titan panel skins are manufactured using 0.7 mm thick CR4 mild steel.



Panels are coated with a TGIC & lead free, polyester powder coat. Standard colour: RAL9010 white



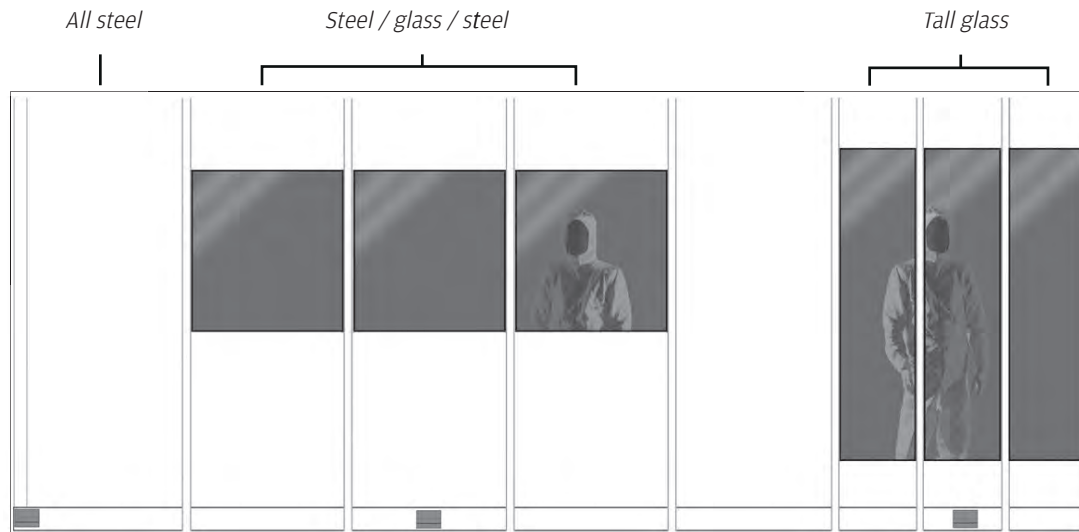
Panels are manufactured with a bonded honeycomb composite infill, providing added strength & rigidity.



Glazed panels use 6mm toughened glass with a black screen printed border & polished edges.

FACTS

Titan panels are available in 3 configurations:



Standard polyester powder coat:
White - RAL 9010

Non standard and corporate colours are also available upon request

- Hinged doors with a variety of furniture options are available
- Ceilings (composite panels or lay in grid tiles)

- UPVC coving with flexible edge
- Blinds fitted within double glazing
- Special glass options available on request
- Special powder coatings, anti static / electro dissipative and antimicrobial



RICHARDSONS
MAKING WORKSPACE WORK

6 Collingwood Court
Riverside Park
Middlesbrough TS2 1RP

Tel: 01642 242228 | Fax: 01642 242259

www.richardsonsuk.co.uk | sales@richardsonsuk.co.uk